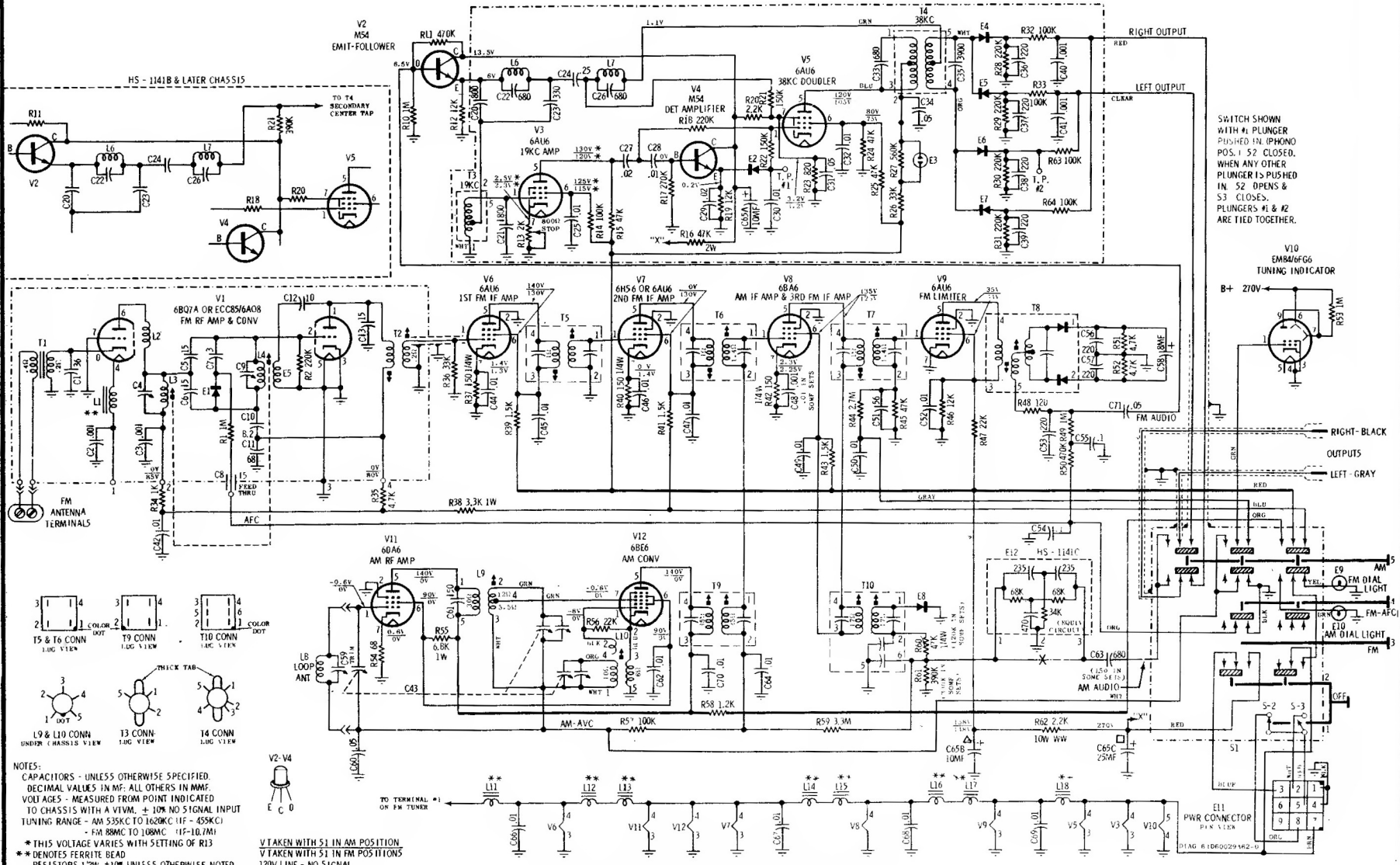


MOTOROLA Chassis HS-1141 Tuner

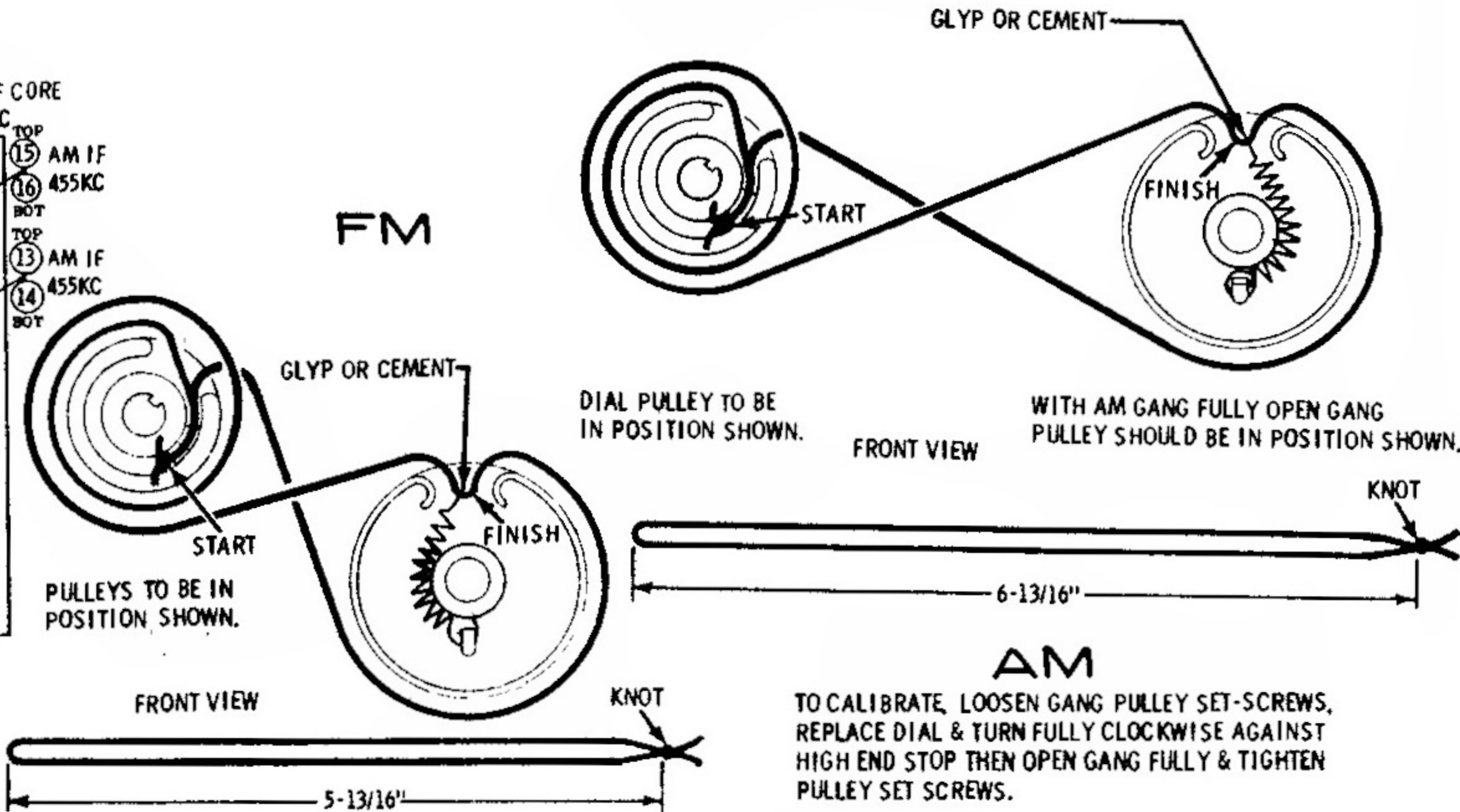
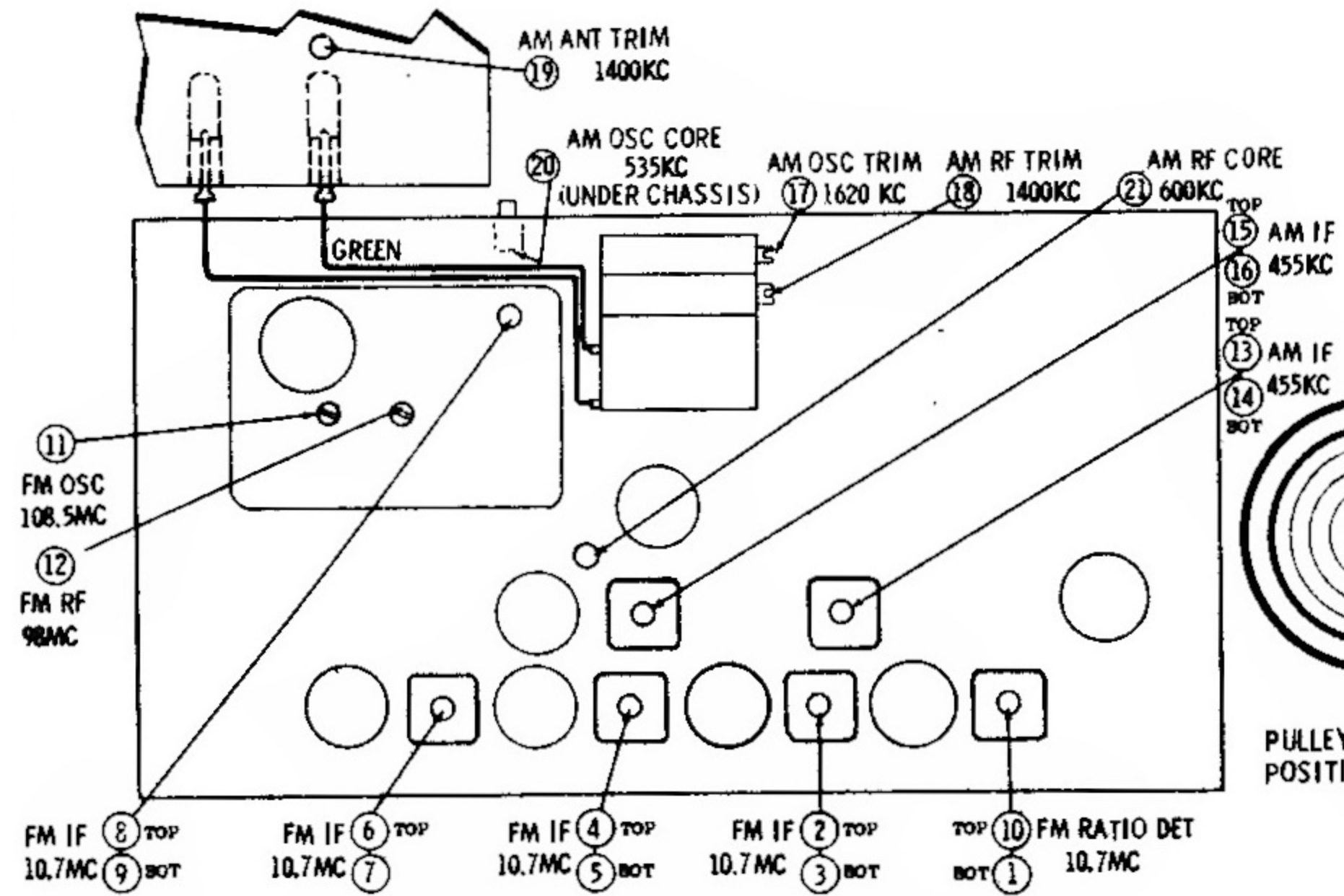


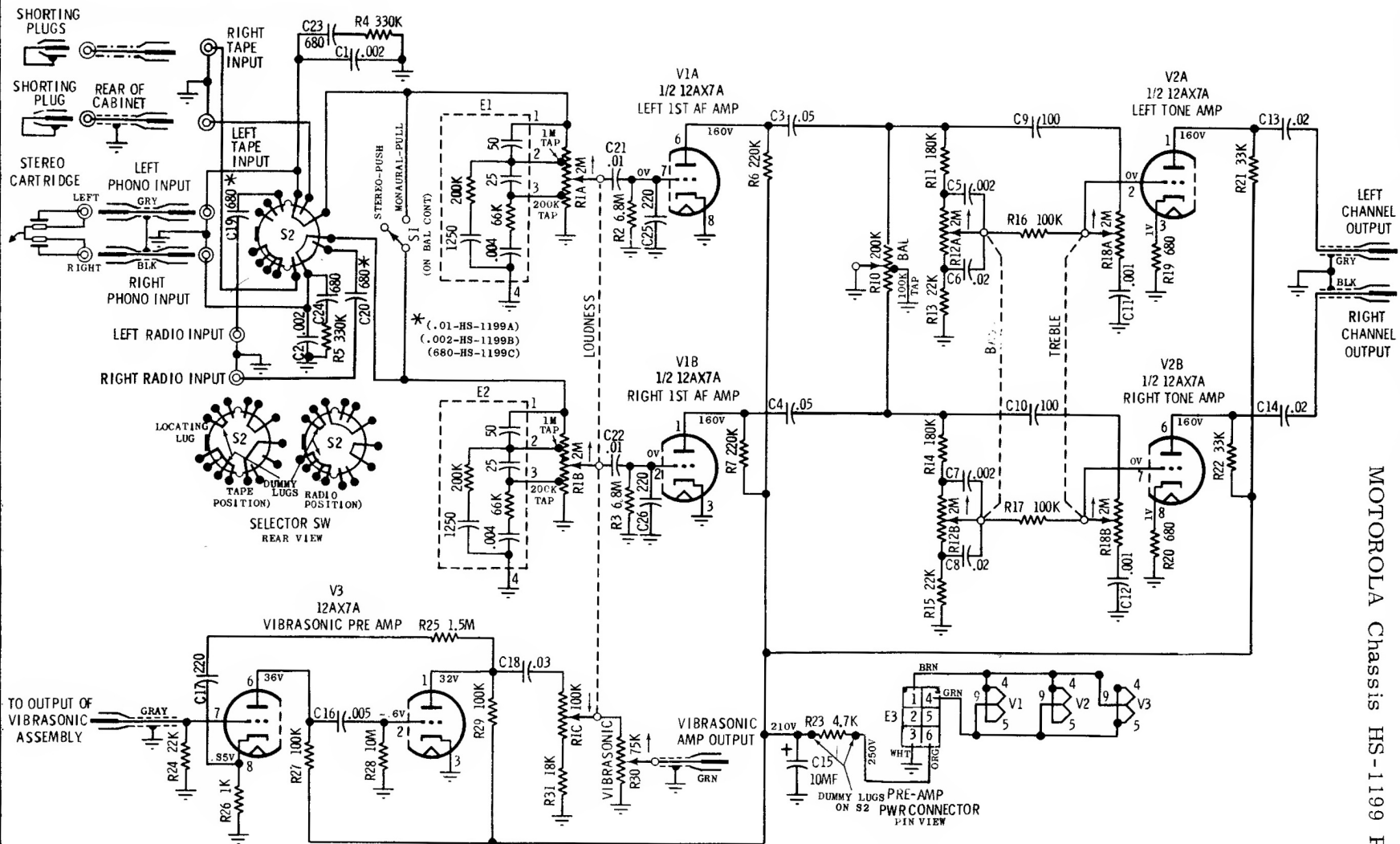
NOTES:
 CAPACITORS - UNLESS OTHERWISE SPECIFIED, DECIMAL VALUES IN MF; ALL OTHERS IN MMF.
 VOLTAGES - MEASURED FROM POINT INDICATED TO CHASSIS WITH A VTVM, ± 10% NO SIGNAL INPUT.
 TUNING RANGE - AM 535KC TO 1620KC (1F - 455KC)
 - FM 88MC TO 108MC (1F - 10.7MI)
 * THIS VOLTAGE VARIES WITH SETTING OF R13
 ** DENOTES FERRITE BEAD

V TAKEN WITH S1 IN AM POSITION
 V TAKEN WITH S1 IN FM POSITIONS
 120V LINE - NO SIGNAL

HS-1141 - AM-FM TUNER REVISED SCHEMATIC

HS-1141 DIAL STRINGING DETAIL





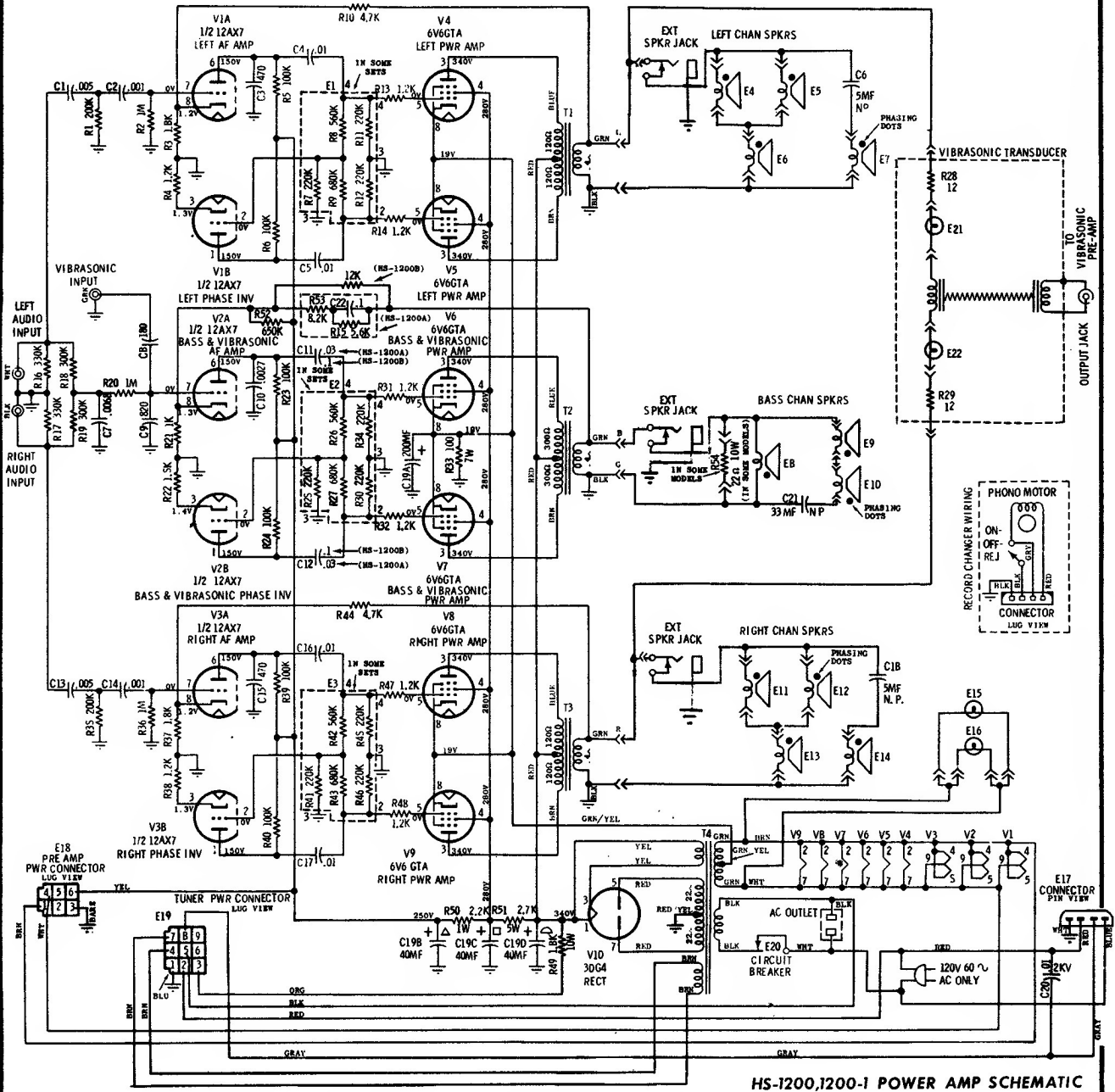
HS-1199 PRE-AMP SCHEMATIC DIAGRAM

NOTES:
 CAPACITORS - UNLESS OTHERWISE SPECIFIED,
 DECIMAL VALUES IN MF; ALL OTHERS IN MMF.
 VOLTAGES - MEASURED FROM POINT INDICATED
 TO CHASSIS WITH A VTVM. $\pm 10\%$ NO SIGNAL INPUT.
 † ARROW INDICATES CLOCKWISE ROTATION OF CONTROL

MOTOROLA

MODELS SK151,152, SKR151,152,155,156,157,158,159,160

CHASSIS HS-1141,1199,1200,1200-1



HS-1200,1200-1 POWER AMP SCHEMATIC